

gallery™ corner whirlpool bath and soaking bath

like its namesake, the gallery™ whirlpool bath is a place of reverence—a haven suited for quiet reflection.



The Gallery™ is a work of art a clean, stylish well of relaxation, ideal for quiet contemplation.

whirlpool bath features:

- 4 Fully adjustable TheraPro® jets
- 2 adjustable AccuPro™ jets
- Exclusive Tru-Level™ self-leveling base system
- Slip-resistant bottom
- Sculpted armrest
- Contoured backrest
- Drain included on whirlpool baths
- Patented Fixed Air Flow System

gallery™ 6 corner whirlpool bath

model number: R230 – RH pump,
R235 – LH pump

exterior dimensions:
60" long x 60" wide x 22½" high

interior dimensions:
45" long x 40" wide

of Jets/type of Jets:
4 TheraPro® Jets,
2 AccuPro™ Jets

operating gallons:
74 gallons

gallery™ 6 corner soaking bath

model number: R240

exterior dimensions:
60" long x 60" wide x 22½" high

interior dimensions:
45" long x 40" wide





Gallery™ Corner Whirlpool Bath

Model: R230, R235

Gallery™ Corner Bath

Model: R240

Ordering Information

Product Code:

R240 Gallery™ Corner Bath

R230 Gallery™ Corner Whirlpool Bath
Right Hand

R235 Gallery™ Corner Whirlpool Bath
Left Hand

- Center Drain Location
- Accessories / Hardware:
 - TheraPro™ Jet Rings #D095
 - AccuPro™ Jet Rings #J869
 - Trip-Lever Drain Kit: #X559
 - Rotary Drain Kit, 26" Cable: #8730
- Trim Kit Finishes Available:
 - (827) - Chrome
 - (898) - Brushed Chrome
 - (815) - Satin Nickel
 - (829) - Bright Brass
 - (805) - Platinum
 - (826) - Brushed Nickel
 - (849) - Oil Rubbed Bronze

Installation Notes

Refer to installation instructions included with fixture before beginning installation. Please confirm product availability and specifications before commencing with any installation work.

PRODUCT SPECIFICATIONS AND AVAILABILITY ARE SUBJECT TO CHANGE WITHOUT NOTICE.

Electrical Components and Electrical Specifications do not apply to non-jetted baths.

Technical Specifications

Dimensions

60" L x 60" L x 22-1/2" H
(1524 mm) L x (1524 mm) L x (572 mm) H

Drain/Overflow

A: 18-1/8" (451 mm) B: 12" (305 mm)

Cutout

See illustration below

Total Weight

R230, R235: 984 lb (446 kg) / 39 lb/sq. ft. (192 kg/m²)
R240: 944 lb (428 kg) / 38 lb/sq. ft. (185 kg/m²)

Operating Gallonage

74 U.S. Gal. (280 liters)

Product Weight

R230, R235: 118 lb (54 kg)
R240: 78 lb (35 kg)

Skirt Mounting

Not Available

Electrical Specifications Models R230, R235 only

Requires a dedicated GFCI protected separate circuit.

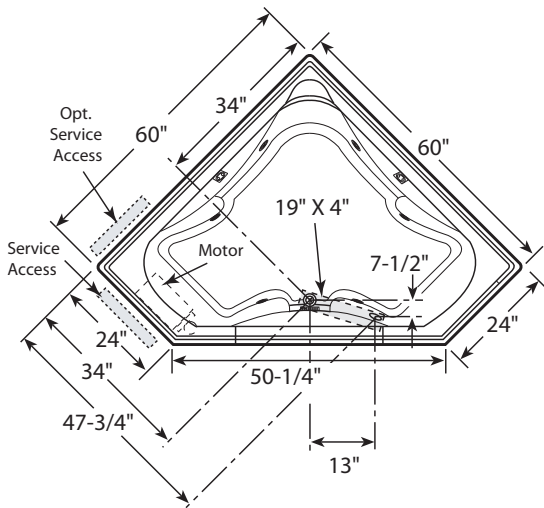
Motor/Pump: 120 VAC, 15 AMP, 60 Hz.

RapidHeat™: 120 VAC, 15 AMP, 60 Hz

Heater (Optional) Models R230, R235 only

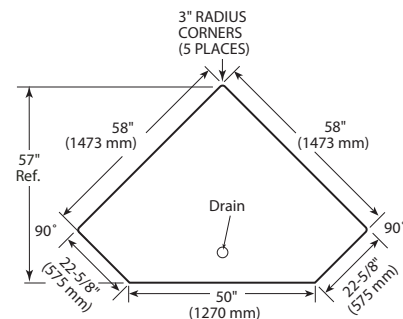
Requires a dedicated GFCI protected separate circuit.

RapidHeat™: P/N S75000



Product Shown: Gallery™ Corner Whirlpool Bath Model: R235

* Measurements inside unit represent cutout in floor to allow for drain/overflow.
Minimum Service Access dimensions given.



CUTOUT

